

AUTOMATIC SPRINKLER

BRAND NAME : CENTRAL
MODEL : TY-B
TYPE : BULB TYPE
SIZE : 1/2" NPT
WORKING PRESSURE : 175 PSI. UL/FM APPROVED
250 PSI. UL LISTED

MATERIAL OF CONSTRUCTION

BODY : BRONZE
FINISHES : CHROME

ENGINEERING DATA

K-FACTOR : 5.6
STYLE O - UPRIGHT : O - TEMP. RATING 57'C (135'F)
BULB COLOR : ORANGE
O - PENDING O - TEMP. RATING 68'C (155'F)
BULB COLOR : RED
O - TEMP. RATING 79'C (175'F)
BULB COLOR : YELLOW
O - TEMP. RATING 93'C (200'F)
BULB COLOR : GREEN
O - TEMP. RATING 141'C (286'F)
BULB COLOR : BLUE
O - TEMP. RATING 182'C (360'F)
BULB COLOR : MAUVE

Series TY-B — 2.8, 5.6, and 8.0 K-factor Upright, Pendant, and Recessed Pendant Sprinklers Standard Response, Standard Coverage

General Description

The Series TY-B, 2.8, 5.6, and 8.0 K-factor, Upright and Pendant Sprinklers described in this data sheet are standard response - standard coverage, decorative 5 mm glass bulb type spray sprinklers designed for use in light, ordinary, or extra hazard, commercial occupancies such as banks, hotels, shopping malls, factories, refineries, chemical plants, etc.

The recessed version of the Series TY-B Pendant Sprinkler, where applicable, is intended for use in areas with a finished ceiling. It uses a two-piece Style 10 (1/2 inch NPT) or Style 40 (3/4 inch NPT) Recessed Escutcheon. The Recessed Escutcheon provides 1/2 inch (12.7 mm) of recessed adjustment or up to 3/4 inch (19,1 mm) of total adjustment from the flush pendant position. The adjustment provided by the Recessed Escutcheon reduces the accuracy to which the fixed pipe drops to the sprinklers must be cut.

Corrosion resistant coatings, where applicable, are utilized to extend the life of copper alloy sprinklers beyond that which would otherwise be obtained when exposed to corrosive atmospheres. Although corrosion resistant coated sprinklers have passed the standard corrosion tests of the appli-

cable approval agencies, the testing is not representative of all possible corrosive atmospheres. Consequently, it is recommended that the end user be consulted with respect to the suitability of these coatings for any given corrosive environment. The effects of ambient temperature, concentration of chemicals, and gas/chemical velocity, should be considered, as a minimum, along with the corrosive nature of the chemical to which the sprinklers will be exposed.

An intermediate level version of the Series TY-B Pendant Sprinkler can be obtained by utilizing the Series TY-B Pendant Sprinkler in combination with the Model S2 Shield.

WARNINGS

The Series TY-B Sprinklers described herein must be installed and maintained in compliance with this document, as well as with the applicable standards of the National Fire Protection Association, in addition to the standards of any other authorities having jurisdiction. Failure to do so may impair the performance of these devices.

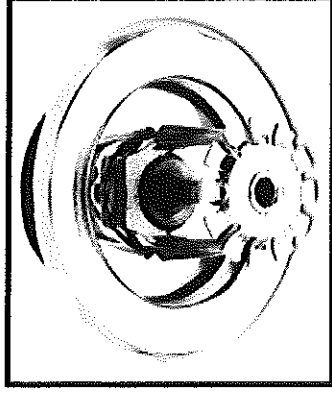
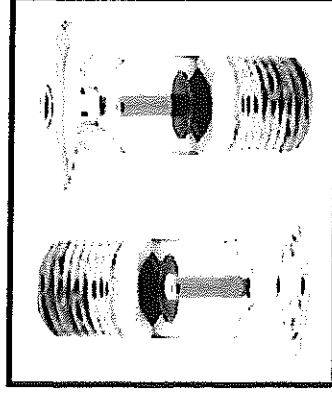
The owner is responsible for maintaining their fire protection system and devices in proper operating condition. The installing contractor or sprinkler manufacturer should be contacted with any questions.

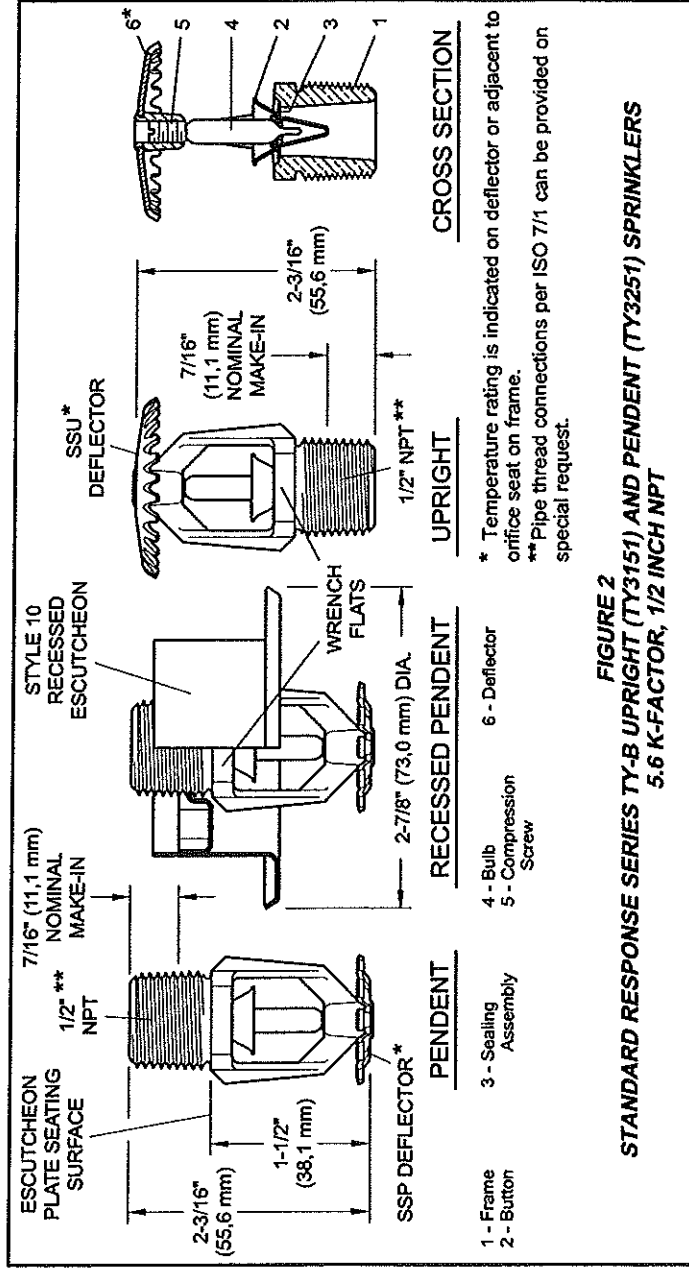
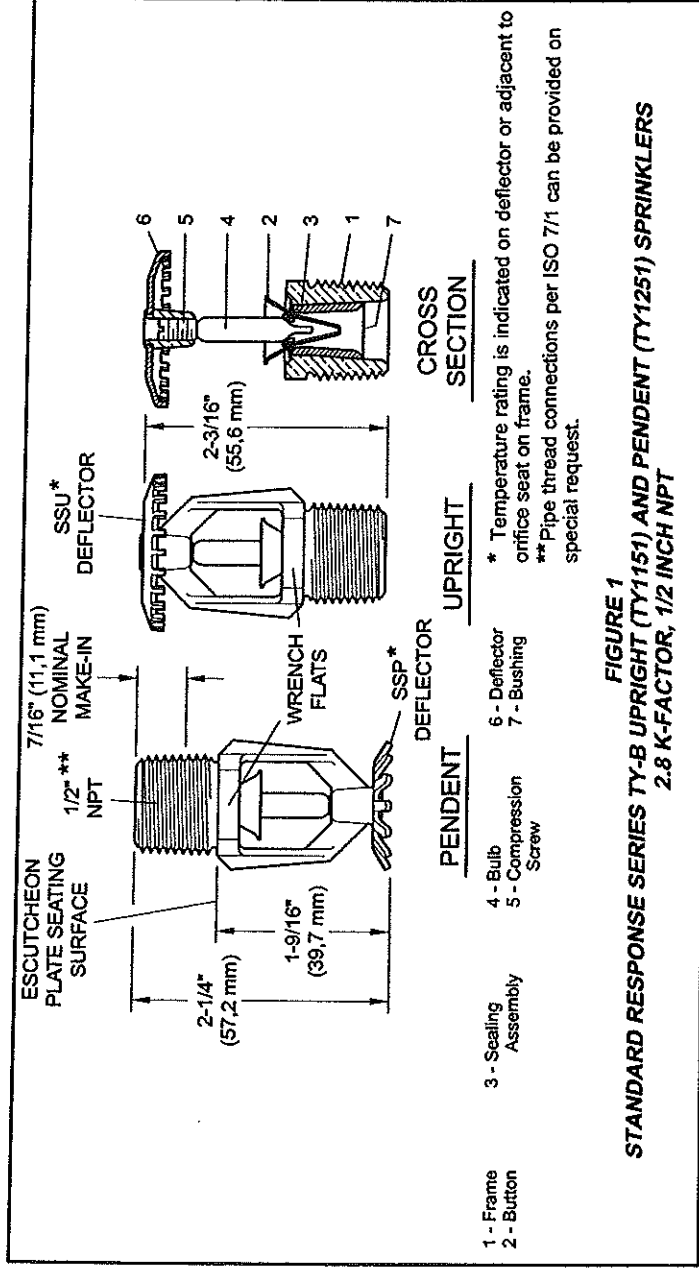
Model/Sprinkler Identification Numbers

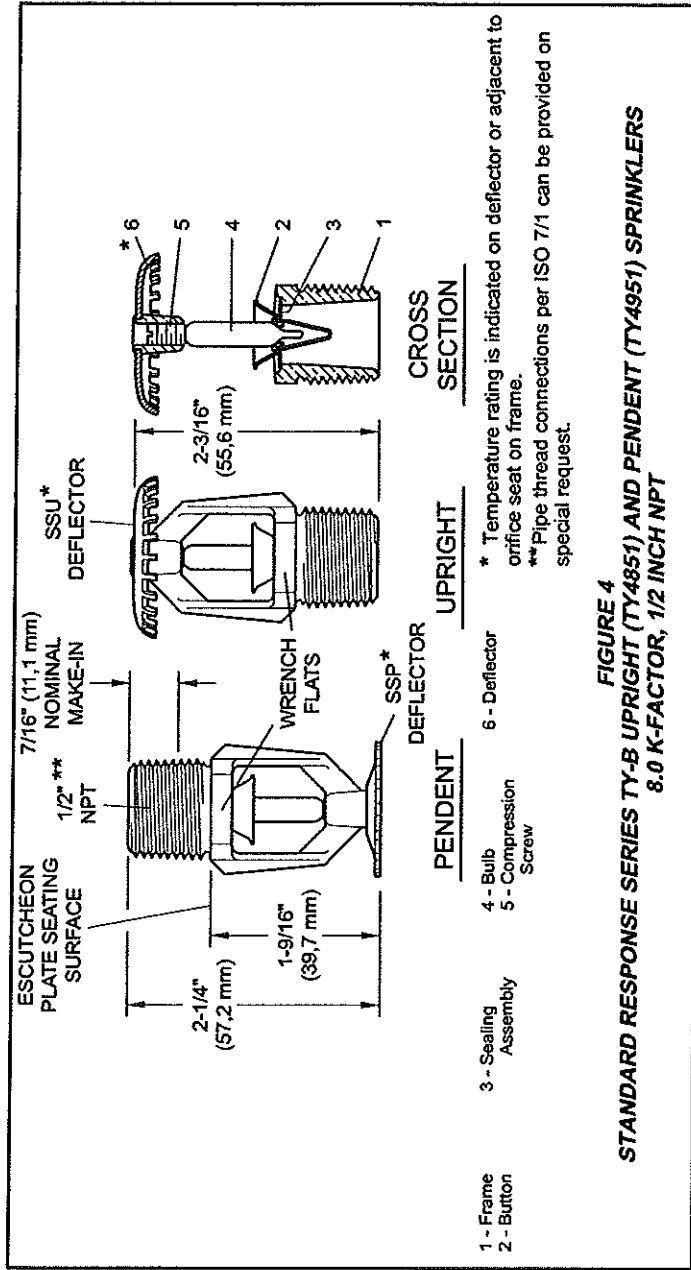
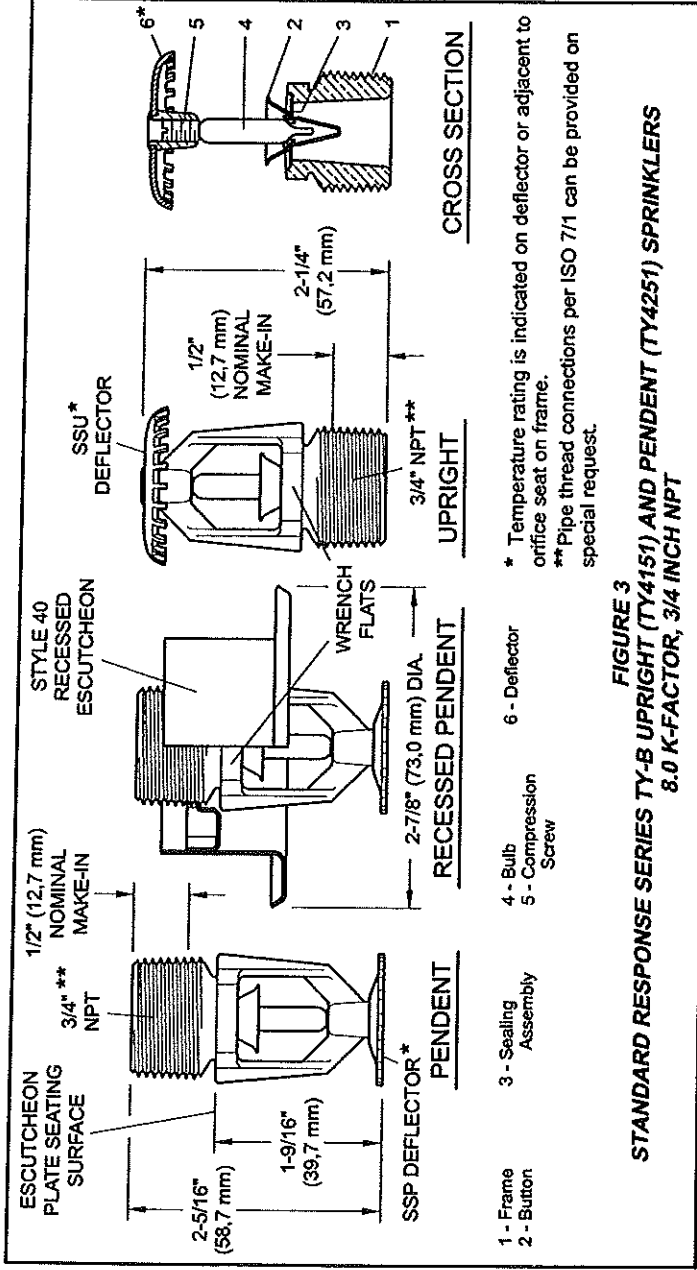
TY1151 -	Upright 2.8K, 1/2"NPT
TY1251 -	Pendant 2.8K, 1/2"NPT
TY3151 -	Upright 5.6K, 1/2"NPT
TY3251 -	Pendant 5.6K, 1/2"NPT
TY4151 -	Upright 8.0K, 3/4"NPT
TY4251 -	Pendant 8.0K, 3/4"NPT
TY4851 -	Upright 8.0K, 1/2"NPT
TY4951 -	Pendant 8.0K, 1/2"NPT

IMPORTANT

Always refer to Technical Data Sheet TFP700 for the "INSTALLER WARNING" that provides cautions with respect to handling and installation of sprinkler systems and components. Improper handling and installation can permanently damage a sprinkler system or its components and cause the sprinkler to fail to operate in a fire situation or cause it to operate prematurely.







K	TYPE	TEMP.	BULB LIQUID	SPRINKLER FINISH (See Note 8)					
				NATURAL BRASS	CHROME PLATED	WHITE*** POLYESTER	LEAD COATED	WAX COATED	WAX OVER LEAD COATED
2.8 1/2" NPT	PENDENT (TY1251) and UPRIGHT (TY1151)	135°F/57°C	Orange	1, 2, 3	N/A	N/A	N/A	N/A	N/A
		155°F/68°C	Red						
		175°F/79°C	Yellow						
		200°F/93°C	Green						
		286°F/141°C	Blue						
		360°F/182°C	Mauve						
5.6 1/2" NPT	PENDENT (TY3251) and UPRIGHT (TY3151)	135°F/57°C	Orange	1, 2, 3, 4, 5, 6, 7	1, 2, 3, 5	1, 2, 3, 5	1, 2, 3, 5	1, 2, 3, 5	1, 2, 3, 5
		155°F/68°C	Red						
		175°F/79°C	Yellow						
		200°F/93°C	Green						
		286°F/141°C	Blue						
		360°F/182°C	Mauve						
8.0 3/4" NPT	RECESSED PENDENT (TY3251)* Figure 4	135°F/57°C	Orange	1, 2, 3, 4, 5	N/A	N/A	N/A	N/A	N/A
		155°F/68°C	Red						
		175°F/79°C	Yellow						
		200°F/93°C	Green						
		286°F/141°C	Blue						
		360°F/182°C	Mauve						
8.0 3/4" NPT	PENDENT (TY4251) and UPRIGHT (TY4151)	135°F/57°C	Orange	1, 2, 3, 4, 5, 6, 7	1, 2, 5	1, 2, 3, 5	1, 2, 5	1, 2, 5	1, 2, 5
		155°F/68°C	Red						
		175°F/79°C	Yellow						
		200°F/93°C	Green						
		286°F/141°C	Blue						
		360°F/182°C	Mauve						
8.0 1/2" NPT	RECESSED PENDENT (TY4251)* Figure 5	135°F/57°C	Orange	1, 2, 3, 4, 5	N/A	N/A	N/A	N/A	N/A
		155°F/68°C	Red						
		175°F/79°C	Yellow						
		200°F/93°C	Green						
		286°F/141°C	Blue						
		360°F/182°C	Mauve						
8.0 1/2" NPT	PENDENT (TY4951) and UPRIGHT (TY4851)	135°F/57°C	Orange	1, 2, 3, 4, 5, 6	N/A	N/A	N/A	N/A	N/A
		155°F/68°C	Red						
		175°F/79°C	Yellow						
		200°F/93°C	Green						
		286°F/141°C	Blue						
		360°F/182°C	Mauve						

NOTES:

- Listed by Underwriters Laboratories, Inc. (UL).
- Listed by Underwriters Laboratories, Inc. for use in Canada (C-UL).
- Approved by Factory Mutual Research Corporation (FM).
- Approved by the Loss Prevention Certification Board (LPCB Ref. No. 007K/03).
- Approved by the City of New York under MIEA 354-01-E.
- VdS Approved (For details contact Tyco Fire & Building Products, Enschede, Netherlands, Tel. 31-53-428-4444/Fax 31-53-428-3377).
- Approved by the Loss Prevention Certification Board (LPCB Ref. No. 094a/05).
- Where Polyester Coated, Lead Coated, Wax Coated, and Wax over Lead Coated Sprinklers are noted to be UL and C-UL Listed, the sprinklers are noted to be FM Approved, the sprinklers are FM Approved as Corrosion Resistant Sprinklers.
- Installed with Style 10 (1/2" NPT) or Style 40 (3/4" NPT) 3/4" Total Adjustment Recessed Escutcheon, as applicable.
- 150°F/66°C Maximum Ceiling Temperature.
- *** Frame and deflector only. Listings and approvals apply to color (Special Order).

TABLE A, LABORATORY LISTINGS AND APPROVALS

K	TYPE	SPRINKLER FINISH					
		NATURAL BRASS	CHROME PLATED	WHITE POLYESTER	LEAD COATED	WAX COATED	WAX OVER LEAD COATED
2.8 1/2" NPT	PENDENT (TY1251) and UPRIGHT (TY1151)	175 PSI (12,1 BAR)					N/A
	PENDENT (TY3251) and UPRIGHT (TY3151)	250 PSI (17,2 BAR) OR 175 PSI (12,1 BAR) (SEE NOTE 1)					
5.6 1/2" NPT	RECESSED PENDENT (TY3251)	(SEE NOTE 1)					N/A
	PENDENT (TY4251) and UPRIGHT (TY4151)	175 PSI (12,1 BAR)					
8.0 3/4" NPT	RECESSED PENDENT (TY4251)	175 PSI (12,1 BAR)					N/A
	PENDENT (TY4951) and UPRIGHT (TY4851)	175 PSI (12,1 BAR)					

NOTE:

1. The maximum working pressure of 250 psi (17,2 bar) only applies to the Listing by Underwriters Laboratories, Inc. (UL); the Listing by Underwriters Laboratories, Inc. for use in Canada (C-UL); and, the Approval by the City of New York.

TABLE B, MAXIMUM WORKING PRESSURE

Technical Data

Approvals

UL and C-UL Listed.
FM, LPCB, Vds, and NYC Approved.
(Refer to Table A for complete approval information including corrosion resistant status.)

Maximum Working Pressure

Refer to Table B.

Discharge Coefficient

K = 2.8 GPM/psi^{1/2} (40.3 LPM/bar^{1/2})
K = 5.6 GPM/psi^{1/2} (80.6 LPM/bar^{1/2})
K = 8.0 GPM/psi^{1/2} (115.2 LPM/bar^{1/2})

Temperature Ratings

Refer to Table A.

Finishes

Sprinkler: Refer to Table A.
Recessed Escutcheon: White Coated,
Chrome Plated, or Brass Plated.

Physical Characteristics

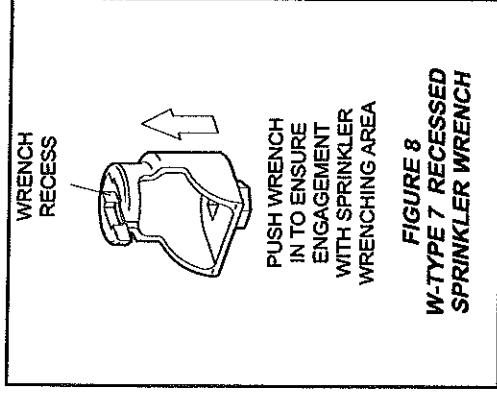
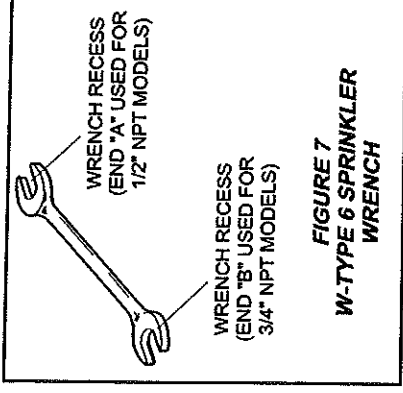
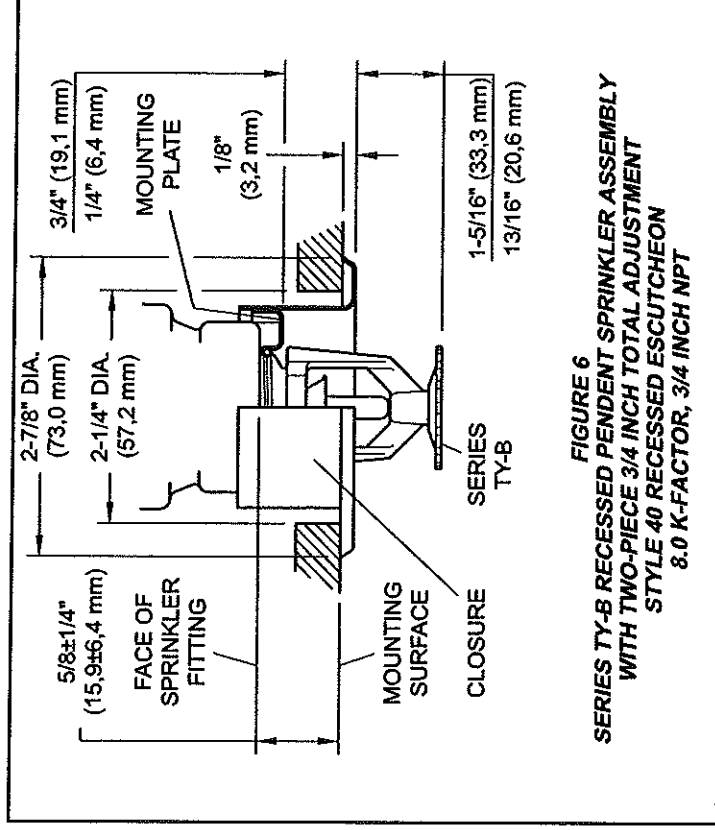
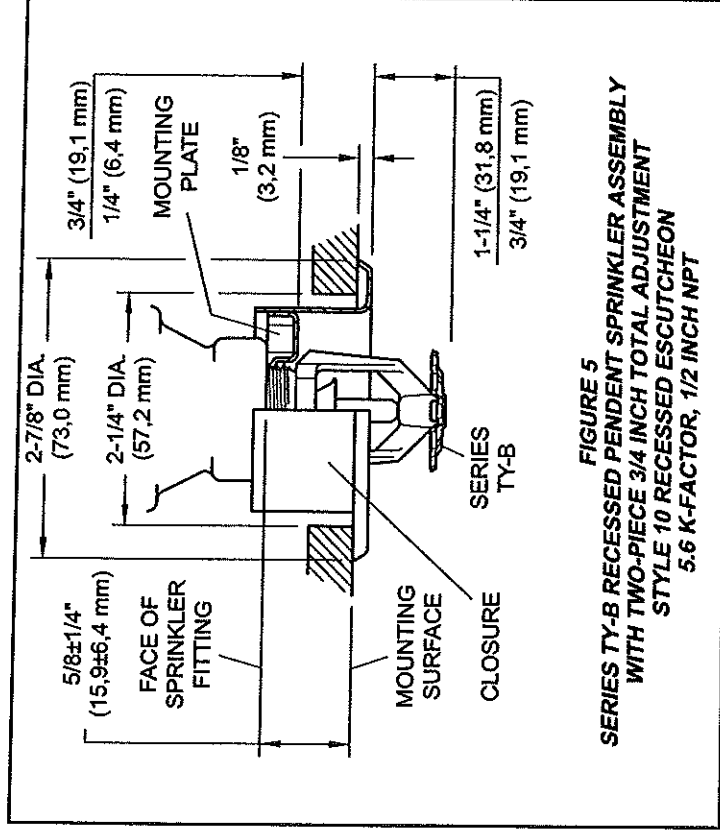
Frame Bronze
Button Brass/Copper
Sealing Assembly
 Beryllium Nickel w/Teflon
Bulb Glass
Compression Screw Bronze
Deflector Copper
Bushing (K=2.8) Bronze

Operation

The glass Bulb contains a fluid which expands when exposed to heat. When the rated temperature is reached, the fluid expands sufficiently to shatter the glass Bulb, allowing the sprinkler to activate and water to flow.

Design Criteria

The Series TY-B Pendent and Upright Sprinklers are intended for fire protection systems designed in accordance with the standard installation rules recognized by the applicable Listing or Approval agency (e.g., UL Listing is based on the requirements of NFPA 13, and FM Approval is based on the requirements of FM's Loss Prevention Data Sheets). Only the Style 10 or 40 Recessed Escutcheon, as applicable, is to be used for recessed pendent installations.



Installation

The Series TY-B Sprinklers must be installed in accordance with the following instructions:

NOTES

Do not install any bulb type sprinkler if the bulb is cracked or there is a loss of liquid from the bulb. With the sprinkler held horizontally, a small air bubble should be present. The diameter of the air bubble is approximately 1/16 inch (1,6 mm) for the 135°F/57°C to 3/32 inch (2,4 mm) for the 360°F/182°C temperature ratings.

A 1/2 inch NPT sprinkler joint should be obtained with a minimum to maximum torque of 7 to 14 ft.lbs. (9,5 to 19,0 Nm). A 3/4 inch NPT sprinkler joint should be obtained with a minimum to maximum torque of 10 to 20 ft.lbs. (13,4 to 26,8 Nm). Higher levels of torque may distort the sprinkler inlet and cause leakage or impairment of the sprinkler.

Do not attempt to make-up for insufficient adjustment in the escutcheon plate by under- or over-tightening the

sprinkler. Readjust the position of the sprinkler fitting to suit.

The Series TY-B Pendent and Upright Sprinklers must be installed in accordance with the following instructions.

Step 1. Pendent sprinklers are to be installed in the pendent position, and upright sprinklers are to be installed in the upright position.

Step 2. With pipe thread sealant applied to the pipe threads, hand tighten the sprinkler into the sprinkler fitting.

Step 3. Tighten the sprinkler into the sprinkler fitting using only the W-Type 6 Sprinkler Wrench (Ref. Figure 7), except that an 8 or 10 inch adjustable Crescent wrench is to be used for wax coated sprinklers. With reference to Figures 1, 2, 3, and 4 the W-Type 7 Sprinkler Wrench or the adjustable Crescent wrench, as applicable is to be applied to the wrench flats.

When installing wax coated sprinklers with the adjustable Crescent wrench, additional care needs to be exercised to prevent damage to the wax coating on the sprinkler wrench flats or frame arms and, consequently, exposure of bare metal to the corrosive environment. The jaws of the wrench should be opened sufficiently wide to pass over the wrench flats without damaging the wax coating. Before wrench tightening the sprinkler, the jaws of the wrench are to be adjusted to just contact the sprinkler wrench flats. After wrench tightening the sprinkler, loosen the wrench jaws before removing the wrench.

After installation, the sprinkler wrench flats and frame arms must be inspected and the wax coating retouched (repaired) whenever the coating has been damaged and bare metal is exposed. The wax coating on the wrench flats can be retouched by gently applying a heated 1/8 inch diameter steel rod to the areas of wax that have been damaged, to smooth it back over areas where bare metal is exposed.

NOTES

Only retouching of the wax coating applied to the wrench flats and frame arms is permitted, and the retouching is to be performed only at the time of the initial sprinkler installation.

The steel rod should be heated only to the point at which it can begin to melt the wax, and appropriate precautions need to be taken, when handling the heated rod, in order to prevent the installer from being burned.

The Series TY-B Recessed Pendent Sprinklers must be installed in accordance with the following instructions.

Step A. After installing the Style 10 or 40 Mounting Plate, as applicable, over the sprinkler threads and with pipe thread sealant applied to the pipe threads, hand tighten the sprinkler into the sprinkler fitting.

Step B. Tighten the sprinkler into the sprinkler fitting using only the W-Type 7 Recessed Sprinkler Wrench (Ref. Figure 8). With reference to Figure 3 or 4, the W-Type 7 Recessed Sprinkler Wrench is to be applied to the sprinkler wrench flats.

Step C. After the ceiling has been installed or the finish coat has been applied, slide on the Style 10 or 40 Closure over the Series TY-B Sprinkler and push the Closure over the Mounting Plate until its flange comes in contact with the ceiling.

Care and Maintenance

The Series TY-B Sprinklers must be maintained and serviced in accordance with the following instructions:

NOTES

Before closing a fire protection system main control valve for maintenance work on the fire protection system that it controls, permission to shut down the affected fire protection system must be obtained from the proper authorities and all personnel who may be affected by this action must be notified.

The owner must assure that the sprinklers are not used for hanging of any objects; otherwise, non-operation in the event of a fire or inadvertent operation may result.

Absence of an escutcheon, which is used to cover a clearance hole, may delay the time to sprinkler operation in a fire situation.

Sprinklers that are found to be leaking or exhibiting visible signs of corrosion must be replaced.

Automatic sprinklers must never be painted, plated, coated or otherwise altered after leaving the factory. Modified sprinklers must be replaced. Sprinklers that have been exposed to corrosive products of combustion, but have not operated, should be replaced if they cannot be completely cleaned by wiping the sprinkler with a cloth or by brushing it with a soft bristle brush.

Care must be exercised to avoid damage to the sprinklers - before, during,

and after installation. Sprinklers damaged by dropping, striking, wrench twist/slippage, or the like, must be replaced. Also, replace any sprinkler that has a cracked bulb or that has lost liquid from its bulb. (Ref. Installation Section).

Frequent visual inspections are recommended to be initially performed for corrosion resistant coated sprinklers, after the installation has been completed, to verify the integrity of the corrosion resistant coating. Thereafter, annual inspections per NFPA 25 should suffice; however, instead of inspecting from the floor level, a random sampling of close-up visual inspections should be made, so as to better determine the exact sprinkler condition and the long term integrity of the corrosion resistant coating, as it may be affected by the corrosive conditions present.

The owner is responsible for the inspection, testing, and maintenance of their fire protection system and devices in compliance with this document, as well as with the applicable standards of the National Fire Protection Association (e.g., NFPA 25), in addition to the standards of any other authorities having jurisdiction. The installing contractor or sprinkler manufacturer should be contacted relative to any questions.

Automatic sprinkler systems should be inspected, tested, and maintained by a qualified Inspection Service in accordance with local requirements and/or national codes.

P/N 57 — XXX — X — XXX

MODEL/SIN		SPRINKLER		TEMPERATURE RATING	
530	2.8K UPRIGHT (1/2"NPT)	1	NATURAL BRASS	135	135°F/57°C
531	2.8K PENDENT (1/2"NPT)	4	WHITE POLYESTER	155	155°F/68°C
570	5.6K UPRIGHT (1/2"NPT)	3	WHITE (RAL9010) *	175	175°F/79°C
571	5.6K PENDENT (1/2"NPT)	9	CHROME PLATED	200	200°F/93°C
590	8.0K UPRIGHT (3/4"NPT)	7	LEAD COATED	286	286°F/141°C
591	8.0K PENDENT (3/4"NPT)	6	WAX COATED 286°F/141°C MAX.	360	360°F/182°C
560	8.0K UPRIGHT (1/2"NPT)	8	WAX OVER LEAD 286°F/141°C MAX.		
561	8.0K PENDENT (1/2"NPT)				

* Eastern Hemisphere sales only.

TABLE C
PART NUMBER SELECTION
SERIES TY-B PENDENT AND UPRIGHT SPRINKLERS

Limited Warranty

Products manufactured by Tyco Fire & Building Products (TFBP) are warranted solely to the original Buyer for ten (10) years against defects in material and workmanship when paid for and properly installed and maintained under normal use and service. This warranty will expire ten (10) years from date of shipment by TFBP. No warranty is given for products or components manufactured by companies not affiliated by ownership with TFBP or for products and components which have been subject to misuse, improper installation, corrosion, or which have not been installed, maintained, modified or repaired in accordance with applicable Standards of the National Fire Protection Association, and/or the standards of any other Authorities Having Jurisdiction. Materials found by TFBP to be defective shall be either repaired or replaced, at TFBP's sole option. TFBP neither assumes, nor authorizes any person to assume for it, any other obligation in connection with the sale of products or parts of products. TFBP shall not be responsible for sprinkler system design errors or inaccurate or incomplete information supplied by Buyer or Buyer's representatives.

In no event shall TFBP be liable, in contract, tort, strict liability or under

any other legal theory, for incidental, indirect, special or consequential damages, including but not limited to labor charges, regardless of whether TFBP was informed about the possibility of such damages, and in no event shall TFBP's liability exceed an amount equal to the sales price.

The foregoing warranty is made in lieu of any and all other warranties, express or implied, including warranties of merchantability and fitness for a particular purpose.

This limited warranty sets forth the exclusive remedy for claims based on failure of or defect in products, materials or components, whether the claim is made in contract, tort, strict liability or any other legal theory.

This warranty will apply to the full extent permitted by law. The invalidity, in whole or part, of any portion of this warranty will not affect the remainder.

Ordering Procedure

When placing an order, indicate the full product name. Refer to the Price List for complete listing of Part Numbers.

Contact your local distributor for availability.

Sprinkler Assemblies with NPT Thread Connections:

Specify: (Specify Model/SIN), Standard Response, (specify K-factor), (specify temperature rating), Series TY-B (specify Pendent or Upright) Sprinkler with (specify type of finish or coating), P/N (specify from Table C).

Recessed Escutcheon:

Specify: Style (specify 10 or 40) Recessed Escutcheon with (specify*) finish, P/N (specify*).

* Refer to Technical Data Sheet TFP770.

Sprinkler Wrench:

Specify: W-Type 6 Sprinkler Wrench, P/N 56-000-6-387.

Specify: W-Type 7 Sprinkler Wrench, P/N 56-850-4-001.